

PARTICULARS:

PLOT AREA OF THE PROPOSED BUILDING: 46225 SFT OR 4296 M²
 AREA OF THE GROUND FLOOR: 89406.9 SFT OR 842 M²
 PROPOSED BUILDING PERMIT NO. 9060 SFT OR 842 M²
 FIRST FLOOR

APPROVED 215' X 215'

Subject to the conditions in this office letter

EXISTING BLDGS. APPROVED DATE: 7-87
 D-119 NO. 56478 Pt. P.P.A. NO. 384/87

FOR MEMBER SECRETARY
 MADRAS METROPOLITAN
 DEVELOPMENT AUTHORITY

PROPOSED BUILDING SHOWN THUS

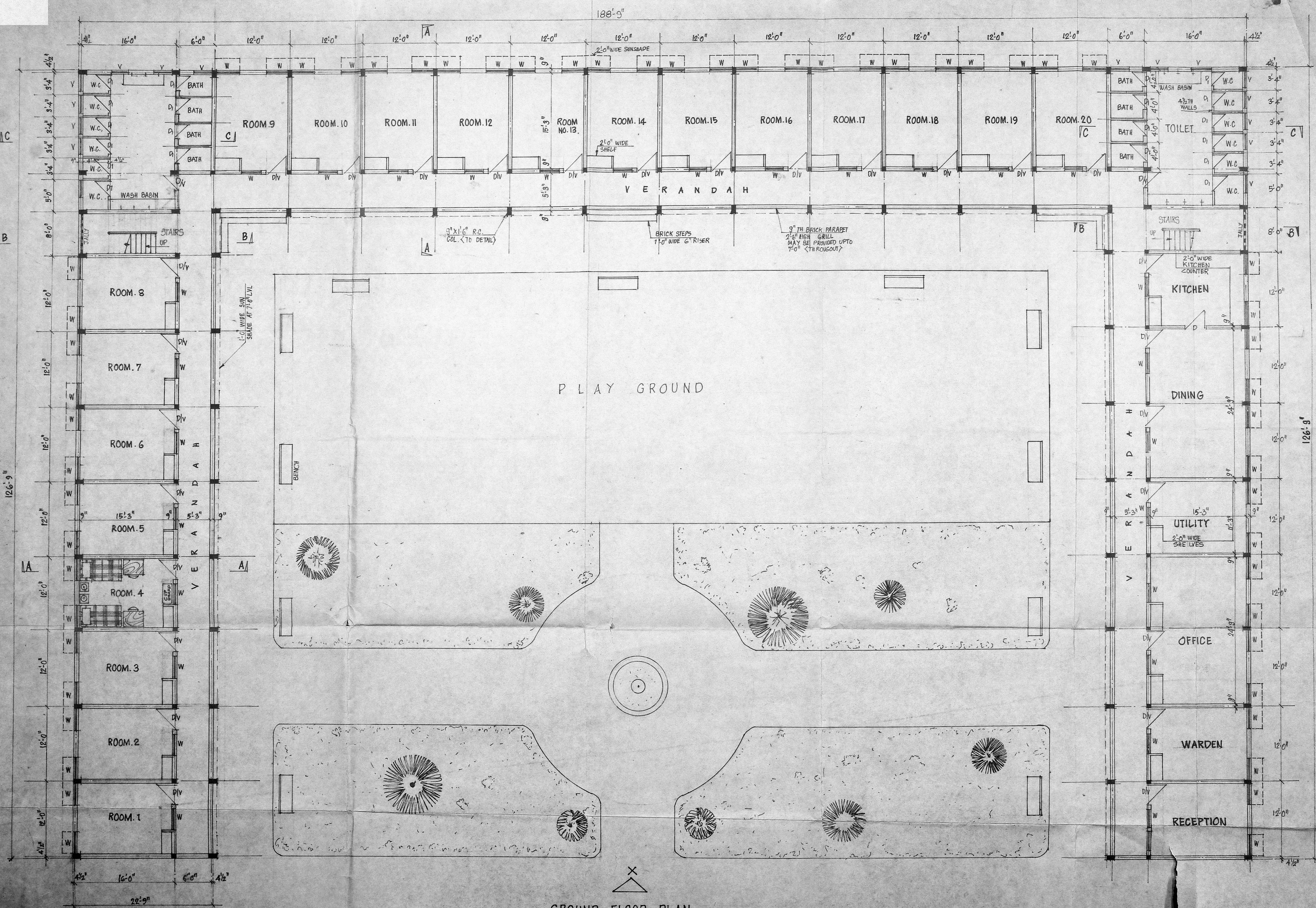
SITE PLAN

PROPOSED CONSTRUCTION OF WORKING WOMEN'S HOSTEL AT Y.M.C.A BOY'S TOWN COMPOUND KOTTIWALKAM MADRAS

SCALE 1" = 66'-0"

LICENSED SURVEYOR:	OWNER:-
 Mr. A.A. PHILIP, B.E., F.I.E., CLASS I SURVEYOR NO. 105, NO. 15, RAGAVA REDDY COLONY JAFHARKHAMPET, MADRAS - 600095.	 Y.M.C.A. 223, N.S.C. BASE ROAD MADRAS-1

SITE PLAN



GROUND FLOOR PLAN

SPECIFICATIONS:-

FOUNDATION:
R.C. FOOTINGS ABOVE 1'-0" SAND FILLINGS.
FOOTINGS DEPTH 7'-0" & SIZE 6'-0" X 6'-0"
PLINTH BEAM (R.C.) FOR SUPPORTING THE MAIN WALLS.

BASEMENT:
2'-0" HIGH BASEMENT IN BRICK WALL 9" TH.

SUPER STRUCTURE:
R.C. STRUCTURE IN C.C. 1:2:4
R.C. COLS TO SUPPORT THE STRUCTURE
SIZE OF COL. 9" X 18"
R.C. BEAMS AT 9' LAB. LVL. 237/8/89

ROOF: Planning Clearance No. 11/9/89
R.C. SLAB 4" TH. IN C.C. 1:2:4

FLOORING: APPROVED
FLOORING OF CONCRETE IN C.C. 1:4:8
FLOOR FINISH IN C.M. 1:5

WEATHERING: COURSE 2/89 11/9/89
2 COURSE OF FLAT TILES IN L MORTAR
AND L MORTOR FINISH OVER.

PLASTERING: FOR MEMBER SECRETARY
MADRAS METROPOLITAN
JOINERY: DEVELOPMENT AUTHORITY
ALL DOORS, WINDOWS & VENTILATORS
ARE COUNTRY WOODS.

GROUND FLOOR PLAN

PROPOSED
CONSTRUCTION OF
WORKING WOMEN'S
HOSTEL AT Y. M. C. A.
BOY'S TOWN COMPOUND
KOTTIWALKAM
MADRAS.

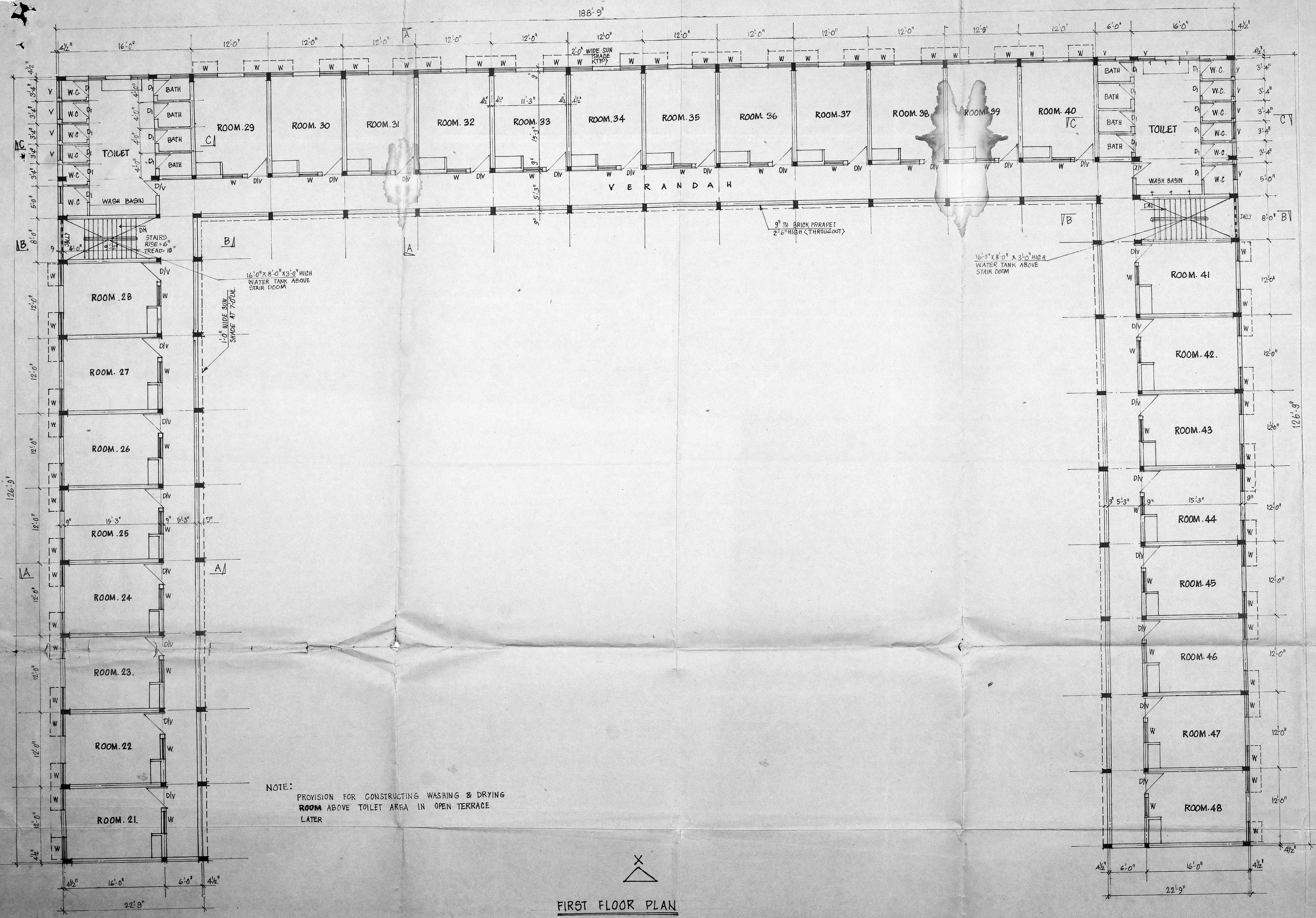
SCALE: 1" = 8'-0" (1:100)

LICENSED SURVEYOR:

MY. A. A. PHILIP B.E. F.I.E.
CLASS. I. SURVEYOR NO. 105
NO. 15, RAJAVAREDDY COLONY,
JATHARAKANPET,
MADRAS - 600019

OWNER:-

Y.M.C.A.
223, N.S.C. ROSE
MADRAS-1



15
JOINERY

- W. WINDOW (STEEL GLAZED): 3'-6" x 4'-6"
- D. DOOR (WOOD): 2'-8" x 7'-0"
- D. DOOR (PANELLED): 2'-6" x 6'-9"
- V. VENTILATOR: (WOOD) 3'-8" x 2'-0"

C/PP/237/89

Planning Clearance No.

APPROVED

Subject to the conditions in this office letter


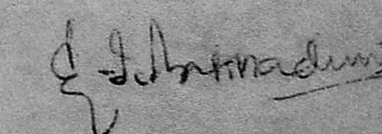
No. C/7422/89 Dt. 11.9.89

FOR MEMBER SECRETARY
 MADRAS METROPOLITAN
 DEVELOPMENT AUTHORITY

FIRST FLOOR PLAN

PROPOSED
 CONSTRUCTION OF
 WORKING WOMEN'S
 HOSTEL AT Y.M.C.A
 BOYS TOWN COMPOUND
 KOTTIWALKAM
 MADRAS.

SCALE 1" = 8'-0" (1:100)

LICENSED SURVEYOR:-

 OWNER:-

 Y.M.C.A.
 223, N.S.C.B.
 MADRAS-1

FIRST FLOOR PLAN

C/PP 237/89

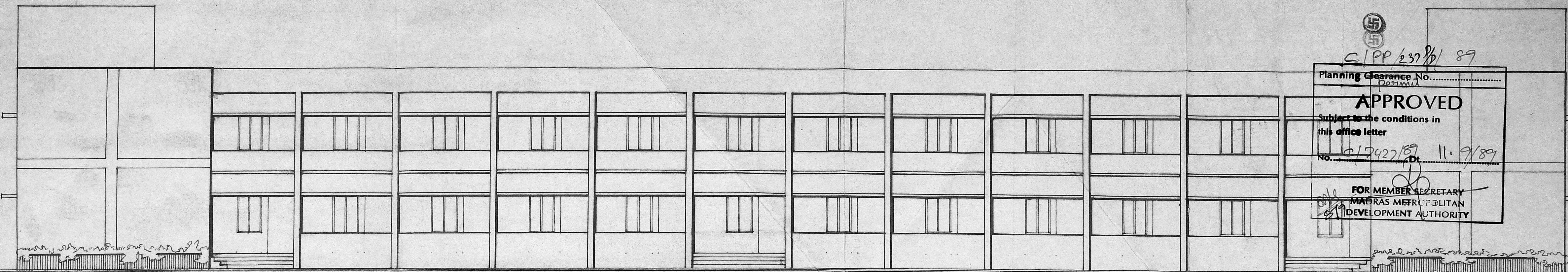
Planning Clearance No. 203/89

APPROVED

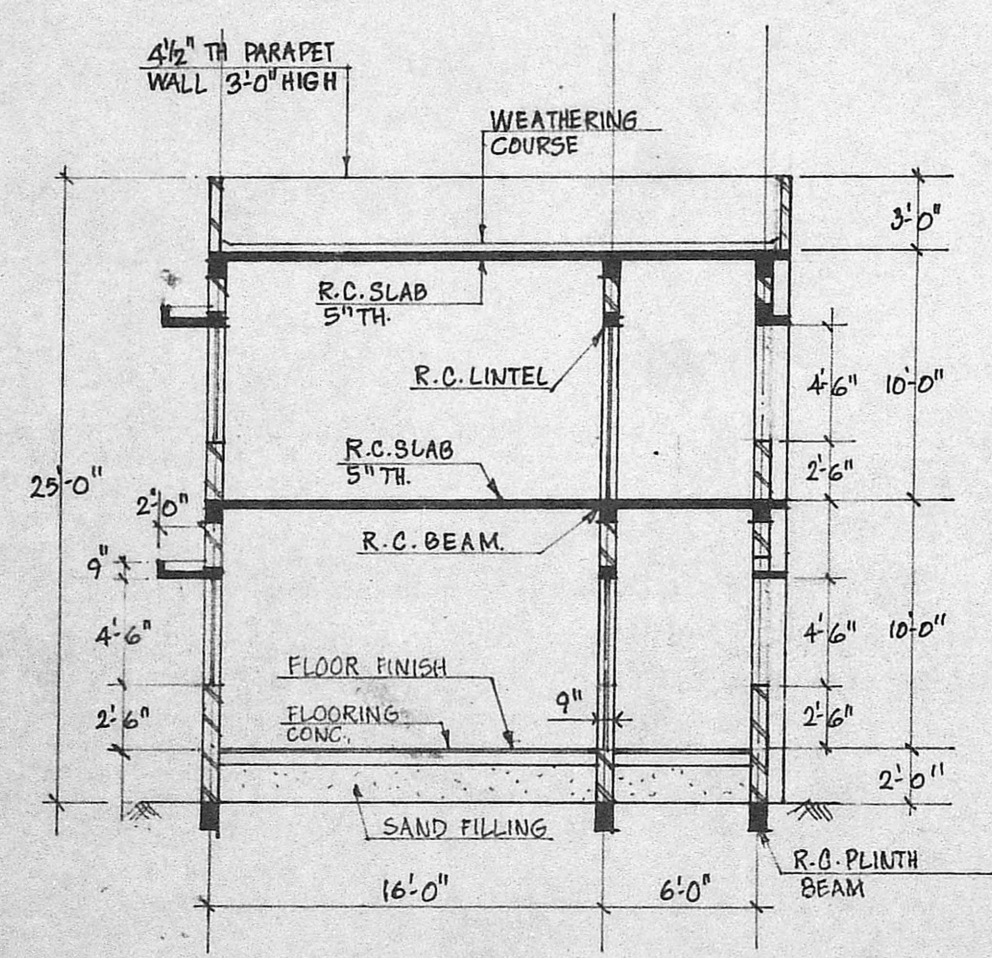
Subject to the conditions in this office letter

No. 217422/89 Dt. 11.9/89

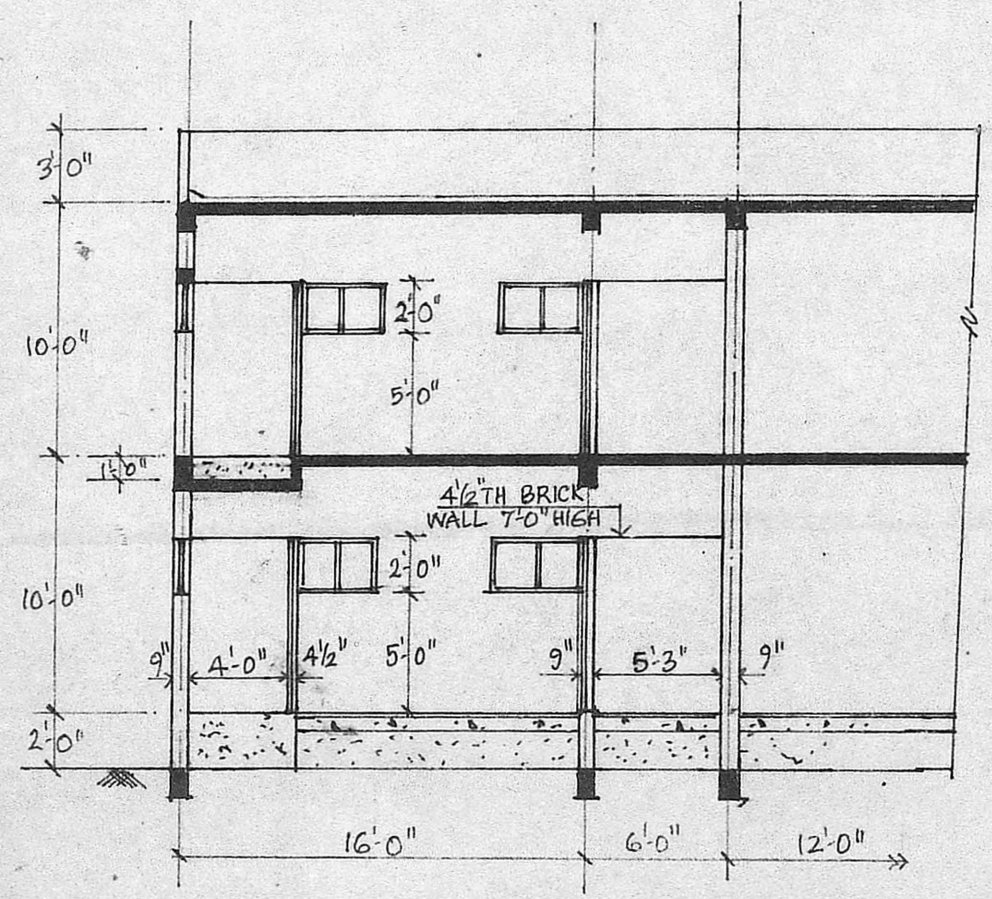
FOR MEMBER SECRETARY
MADRAS METROPOLITAN
DEVELOPMENT AUTHORITY



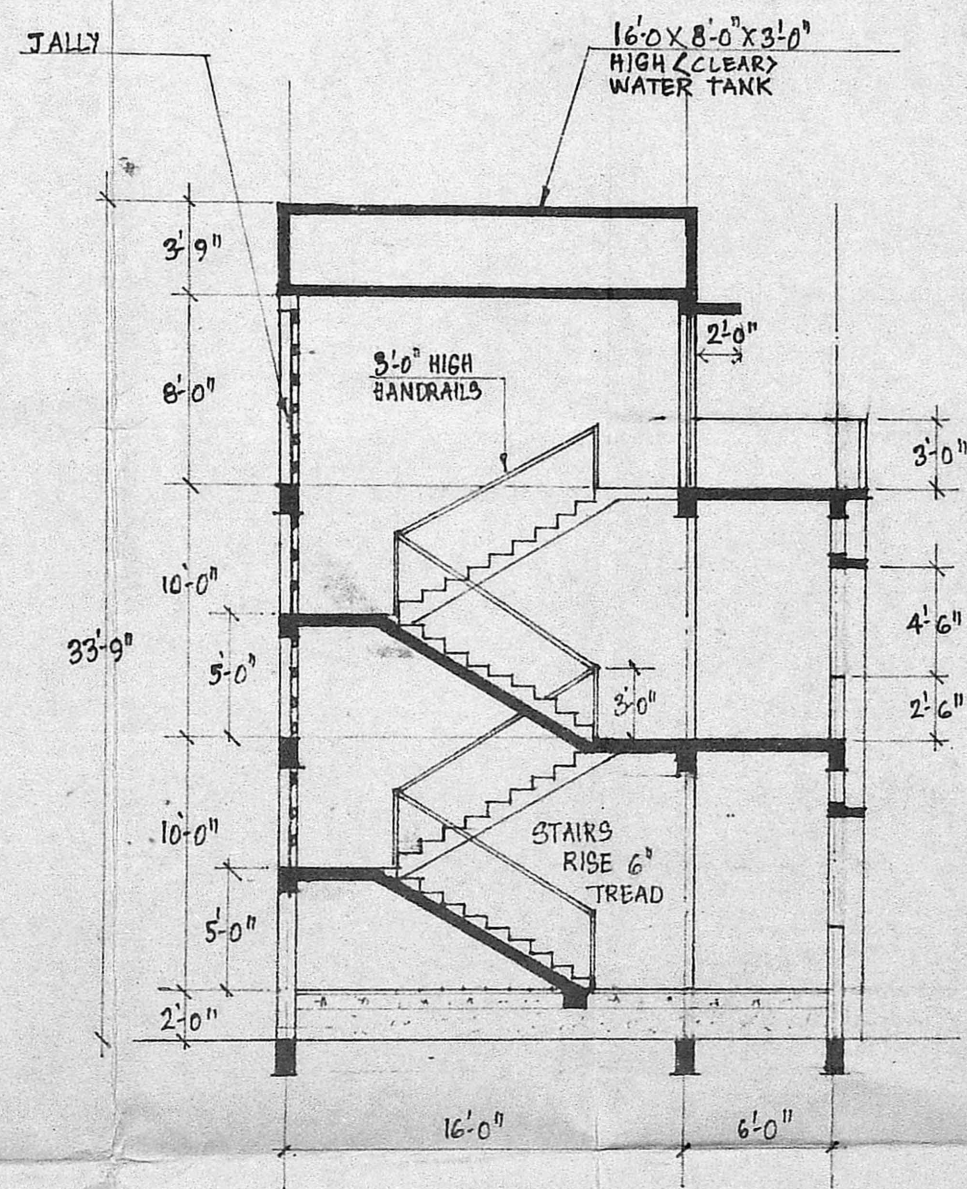
FRONT ELEVATION AT X



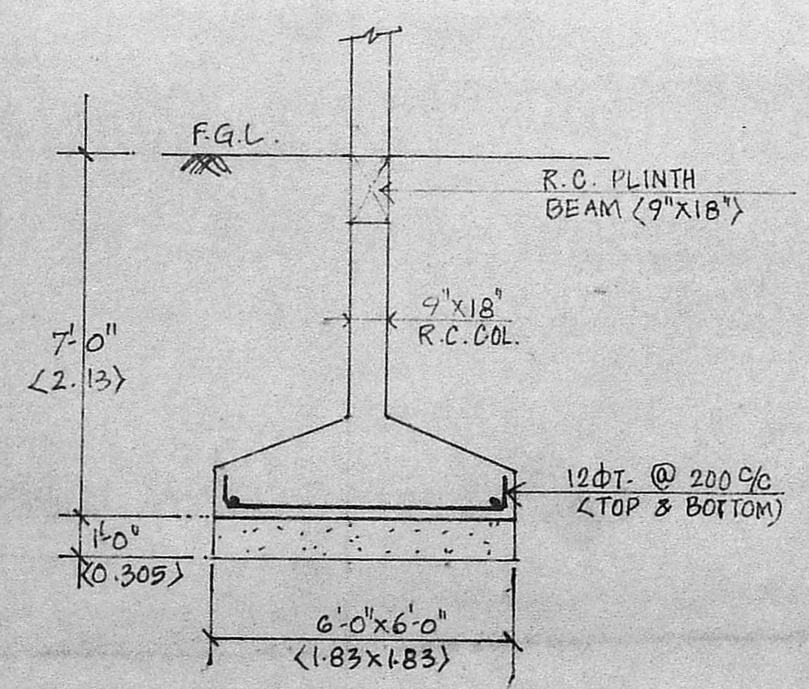
SECTION A A



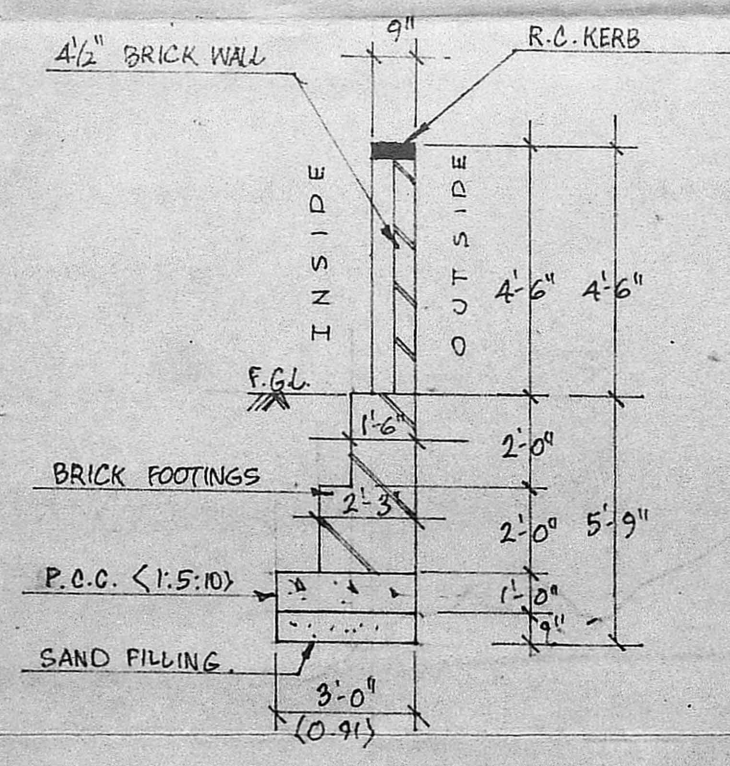
SECTION C C



SECTION B B



FOUNDATION DETAILS
TO R. C. COLUMN



FOUNDATION DETAILS
TO COMPOUND WALL

FRONT ELEVATION
SECTIONS &
FOUNDATION DETAILS

PROPOSED
CONSTRUCTION OF
WORKING WOMEN'S
HOSTEL AT Y.M.C.A
BOYS TOWN COMPOUND
KOTTIWALKAM
MADRAS

SCALE 1" = 8'0" (1:100)

LICENSED SURVEYOR.

M.A. Philip
M. A. A. PHILIP, B.E. F.I.E.,
CLASS I. SURVEYOR NO. 105
NO. 15, RAGAVA REDDY COLONY
JAFHARKHANDPET,
MADRAS - 95.

OWNER:

S. J. Srinivasan
Y.M.C.A
223, N.S.C. Base Road
MADRAS - 1